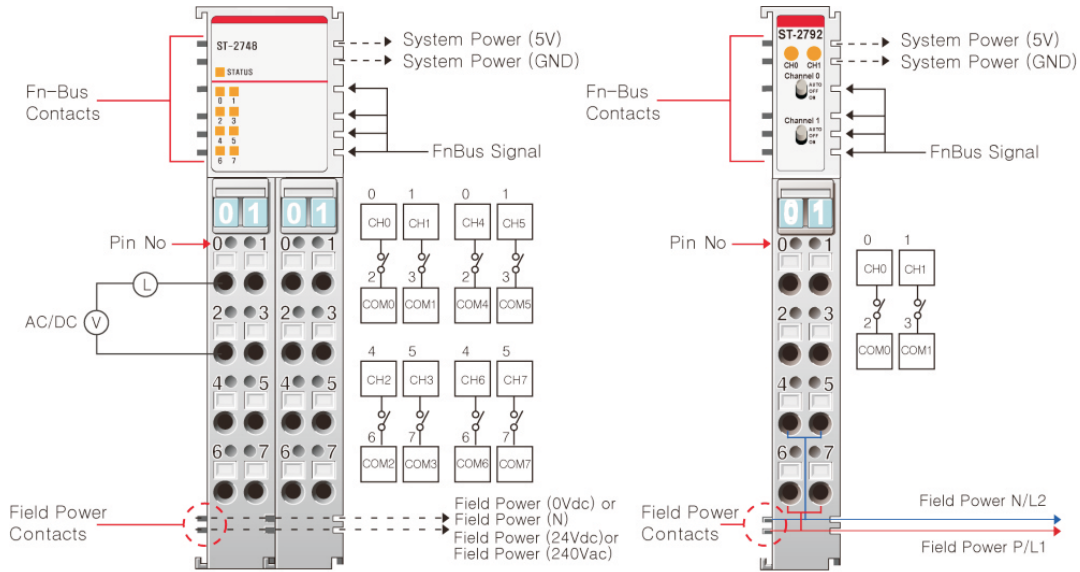


ST-2748, ST-2792(Manual/Auto)

240Vac/2A, 24Vdc/2A, 2/8 Points, Relay



Item	ST-2748	ST-2792		
Output Specification				
Outputs Per Module	8 Points	2 Points with Manual/Auto Operation		
Indicators	8 Green Output States, 1 Green/Red Fn-Bus State	2 Green Output States		
Relay Type	Form A, normally Open Single Pole, Single Throw			
Output Range	5~28.8Vdc @2.0A Resistive 48Vdc @0.8A Resistive 110Vdc@0.5A Resistive 250Vac @2.0A Resistive			
Min. Load	100uA, 100mVdc Per Point	-		
Max. On-state Voltage Drop	0.5V @ 2.0A, Resistive Load, 24Vdc			
OFF-State Leakage Current	Max. 1.5mA	-		
Output Signal Delay	On to Off : Max. 10ms, Off to On : Max. 10ms			
Initial Contact Res.	20mΩ			
Expected Contact	300K Cycles Resistive, 100K Cycles Inductive			
Common Type	1 Points / 1 COM			
General Specification				
Power Dissipation	Max. 235mA @5.0Vdc	Max. 100mA @5.0Vdc		
Isolation	I/O to Logic : Relay Coil/Contact Isolation / 1250 Vrms tested			
Field Power	No Connection with Field Power / Field Power passes through to the next module			
Wiring	I/O Cable Max. 2.0mm(AWG 14)			
Weight	200g	70g		
Module Size	24mm x 99mm x 70mm	12mm x 99mm x 70mm		
Environment Condition	Refer to "Environment Specification"(page : 1-191)			
Signals for Left Terminal	Pin No.	Description	Pin No.	Description
	0	Output Channel 0_A	0	Output Channel 0
	1	Output Channel 1_A	1	Output Channel 1
	2	COM 0	2	COM 0
	3	COM 1	3	COM 1
	4	Output Channel 2_A	4	Field Power, N/L1
	5	Output Channel 3_A	5	Field Power, N/L1
	6	COM 2	6	Field Power, P/L2
Signals for Right Terminal	Pin No.	Description	Pin No.	Description
	7	COM 3	7	Field Power, P/L2
	0	Output Channel 4_A	-	-
	1	Output Channel 5_A	-	-
	2	COM 4	-	-
	3	COM 5	-	-
	4	Output Channel 6_A	-	-
	5	Output Channel 7_A	-	-
6	COM 6	-	-	
7	COM 7	-	-	